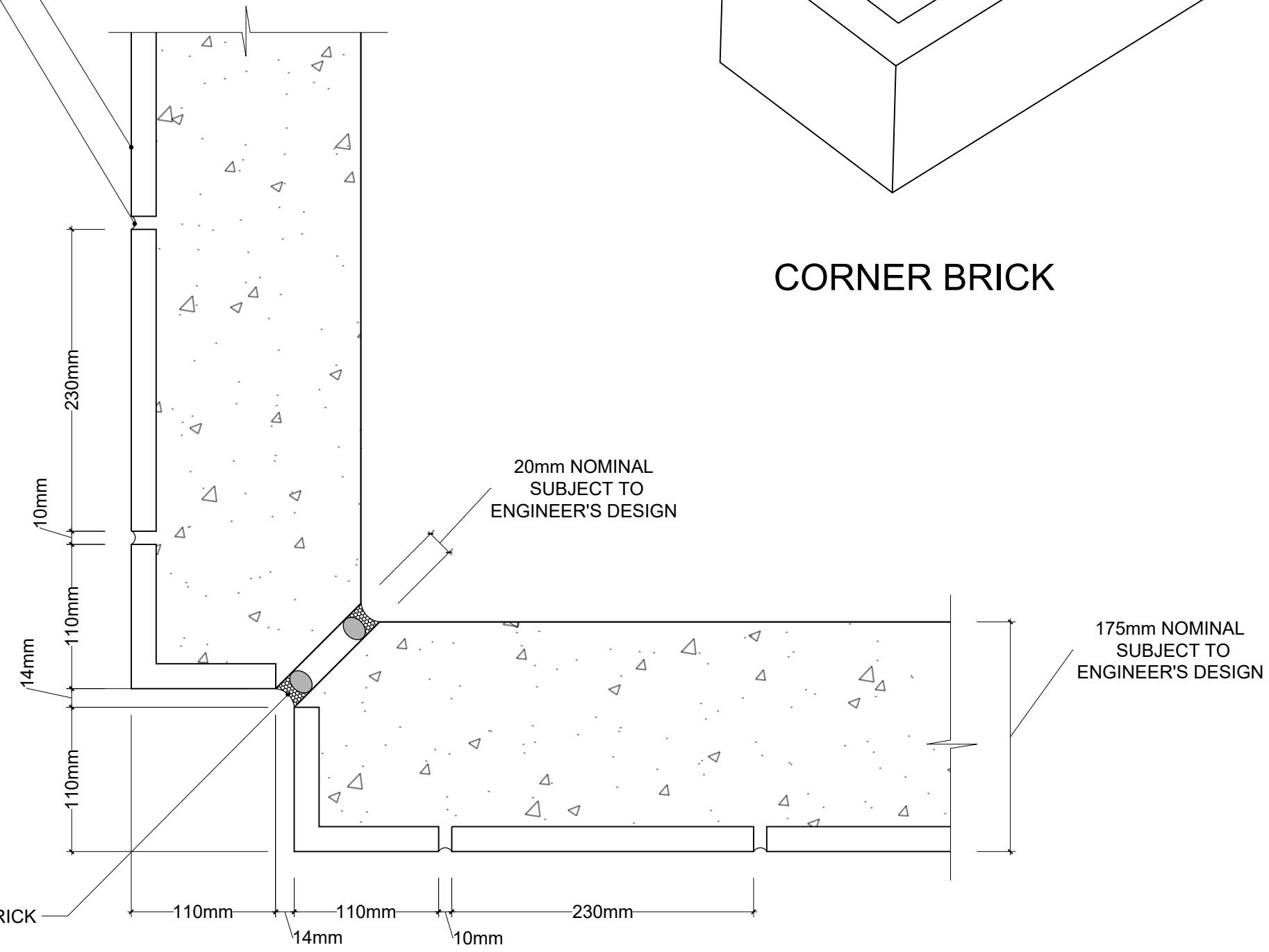


CORNER BRICK

THIN BRICK FACING
NOMINAL THICKNESS 25mm

STANDARD 10mm ROLLED
MORTAR JOINT



01 INDENTED CORNER DETAIL
SCALE N/A

PROJECT:
**InBrick TYPICAL
CONSTRUCTION
DETAILS**

DRAWING:
INDENTED CORNER DETAIL

DRAWING No:
INB-DE-01

REV: B

DRAWN BY: M.E

ISSUE DATE: 21/07/2022

SCALE: N/A

@PGH BRICKS AND PAVERS PTY LTD 2017. THIS DOCUMENT SHOULD NOT BE REPRODUCED OR COMMUNICATED WITHOUT THE PRIOR WRITTEN APPROVAL OF PGH BRICKS & PAVERS PTY LTD.

NOT FOR PRODUCTION OR CONTRACT USE.

DO NOT SCALE THIS DRAWING.

PROJECT:
InBrick TYPICAL CONSTRUCTION DETAILS

DRAWING:
WRAPPED CORNER DETAIL

DRAWING No:
INB-DE-02A & 02B

REV: B

DRAWN BY: M.E

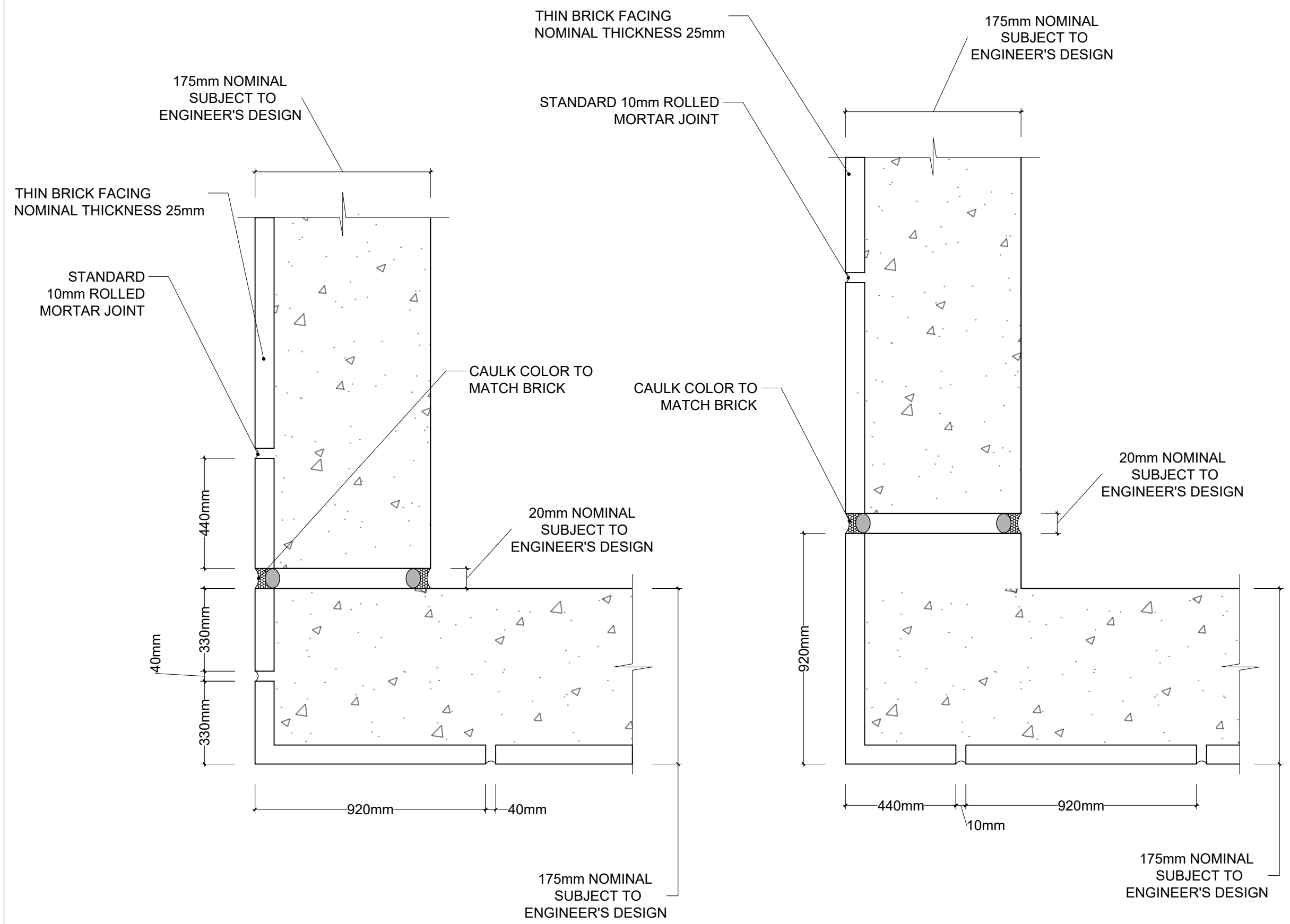
ISSUE DATE: 21/07/2022

SCALE: N/A

@PGH BRICKS AND PAVERS PTY LTD 2017. THIS DOCUMENT SHOULD NOT BE REPRODUCED OR COMMUNICATED WITHOUT THE PRIOR WRITTEN APPROVAL OF PGH BRICKS & PAVERS PTY LTD.

NOT FOR PRODUCTION OR CONTRACT USE.

DO NOT SCALE THIS DRAWING.



02A WRAPPED CORNER DETAIL
SCALE N/A

02B WRAPPED CORNER DETAIL
SCALE N/A

PROJECT:
InBrick TYPICAL CONSTRUCTION DETAILS

DRAWING:
QUIRK CORNER DETAIL

DRAWING No:
INB-DE-03

REV: B

DRAWN BY: M.E

ISSUE DATE: 21/07/2022

SCALE: N/A

@PGH BRICKS AND PAVERS PTY LTD 2017. THIS DOCUMENT SHOULD NOT BE REPRODUCED OR COMMUNICATED WITHOUT THE PRIOR WRITTEN APPROVAL OF PGH BRICKS & PAVERS PTY LTD.

NOT FOR PRODUCTION OR CONTRACT USE.

DO NOT SCALE THIS DRAWING.

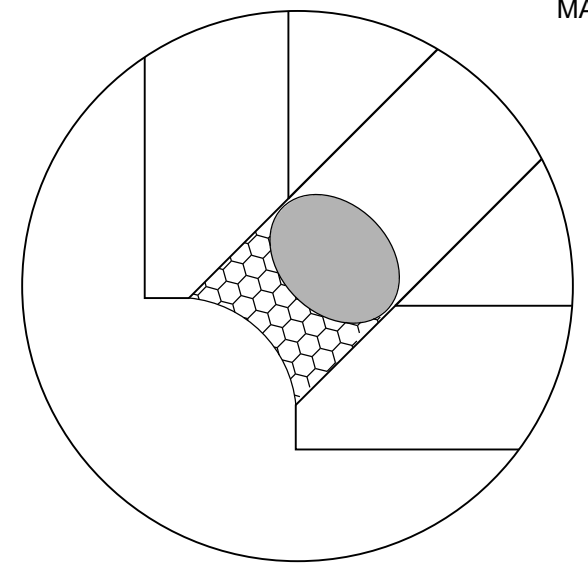
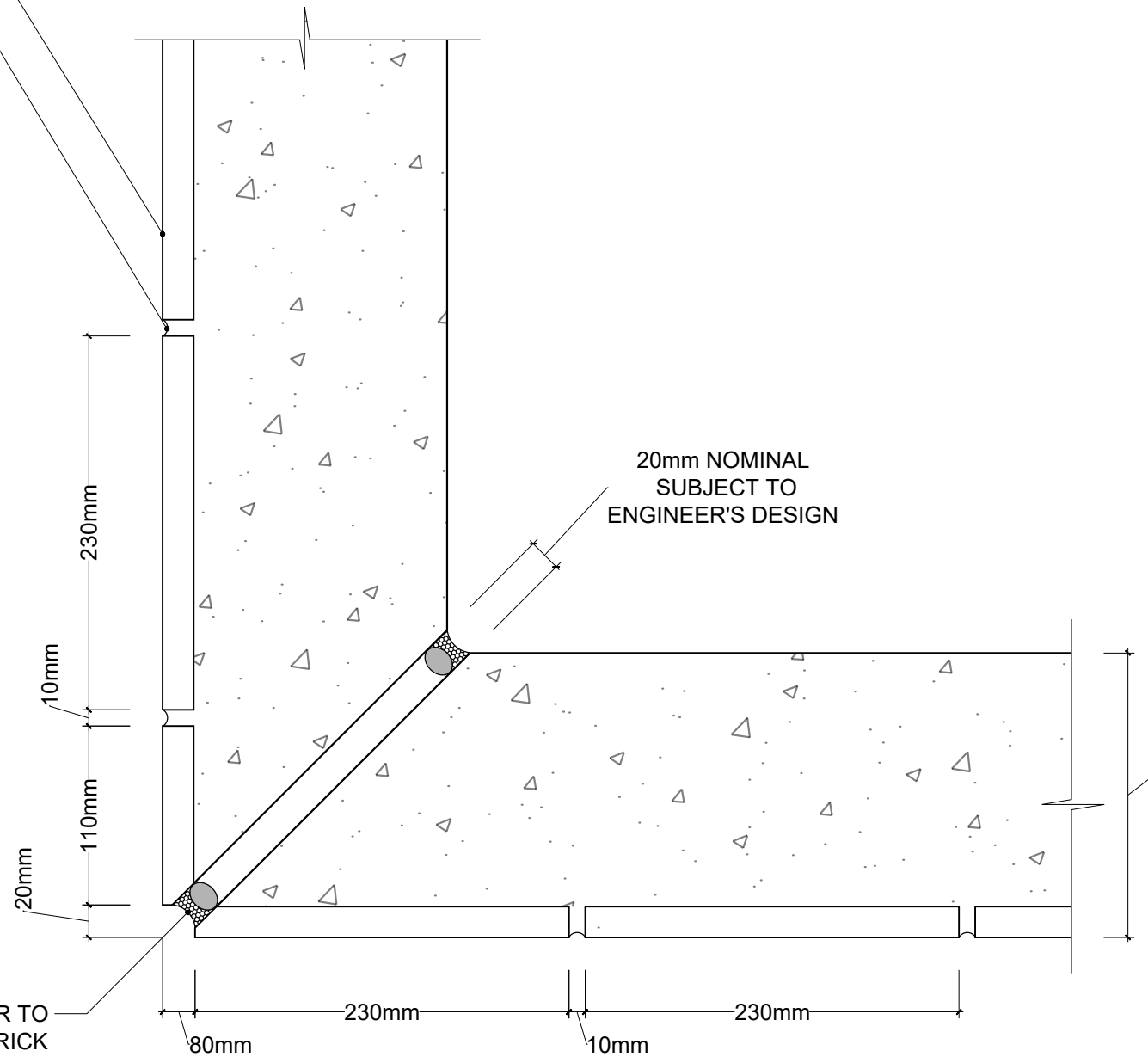
THIN BRICK FACING
NOMINAL THICKNESS 25mm

STANDARD 10mm ROLLED
MORTAR JOINT

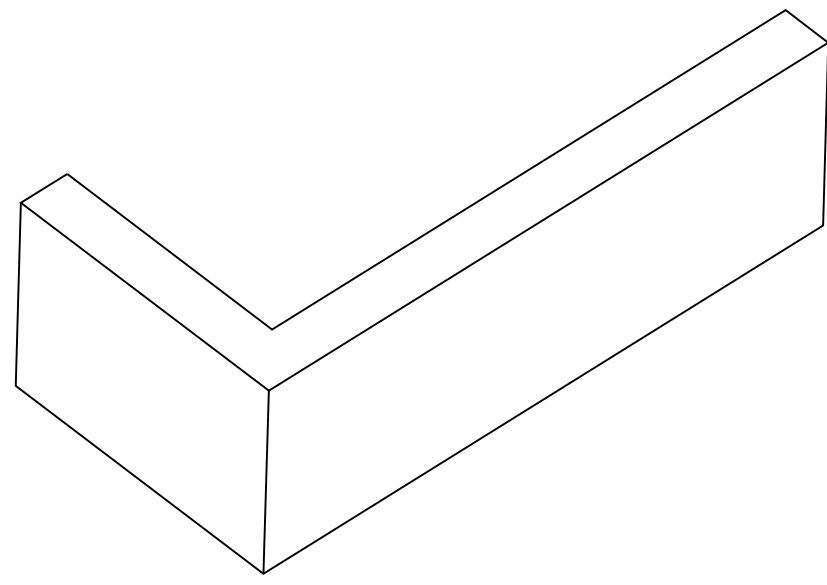
20mm NOMINAL
SUBJECT TO
ENGINEER'S DESIGN

175mm NOMINAL
SUBJECT TO
ENGINEER'S DESIGN

CAULK COLOR TO
MATCH BRICK

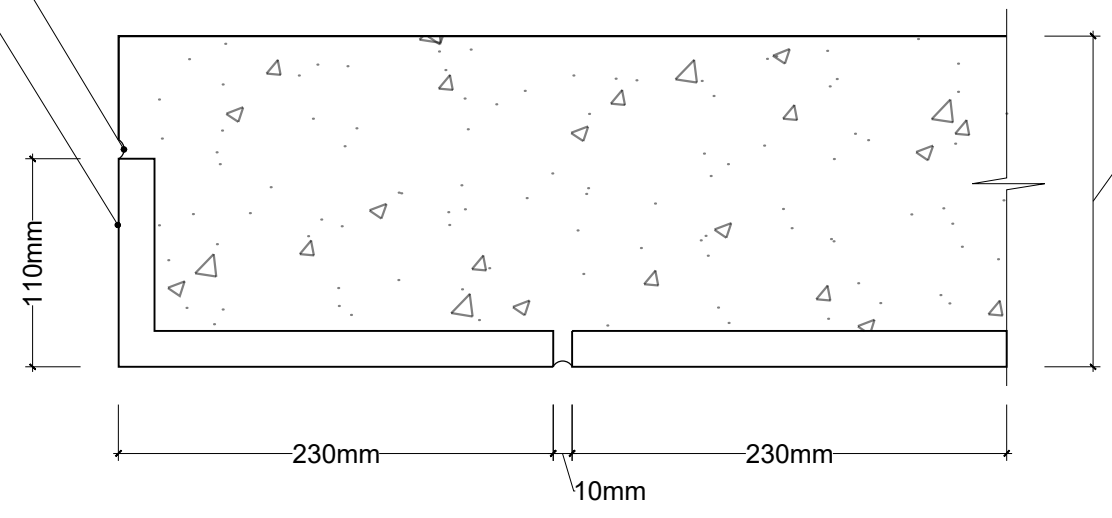


03 QUIRK CORNER DETAIL
SCALE N/A



CORNER BRICK

STANDARD 10mm ROLLED MORTAR JOINT
THIN BRICK FACING NOMINAL THICKNESS 25mm



175mm NOMINAL SUBJECT TO ENGINEER'S DESIGN

04 WRAPPED JAMB DETAIL
SCALE N/A

PROJECT:
InBrick TYPICAL CONSTRUCTION DETAILS

DRAWING:
WRAPPED JAMB DETAIL

DRAWING No:
INB-DE-04

REV: B

DRAWN BY: M.E

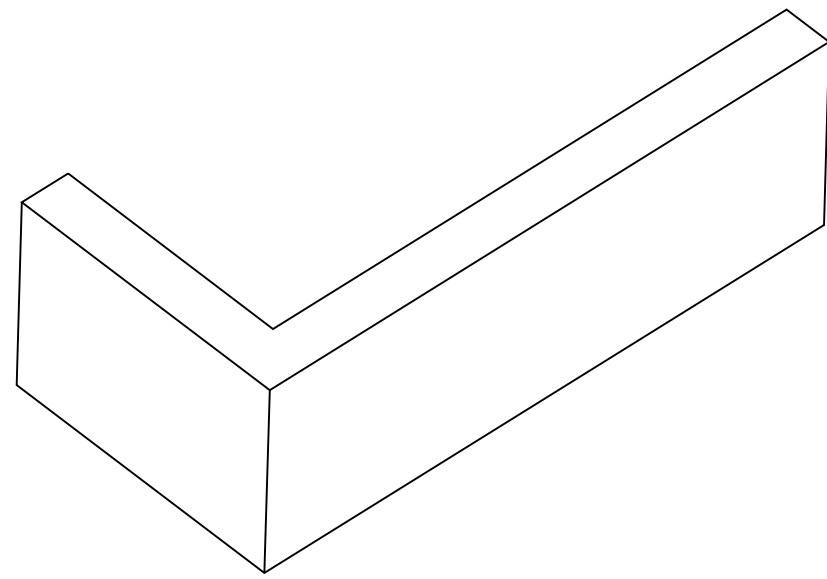
ISSUE DATE: 21/07/2022

SCALE: N/A

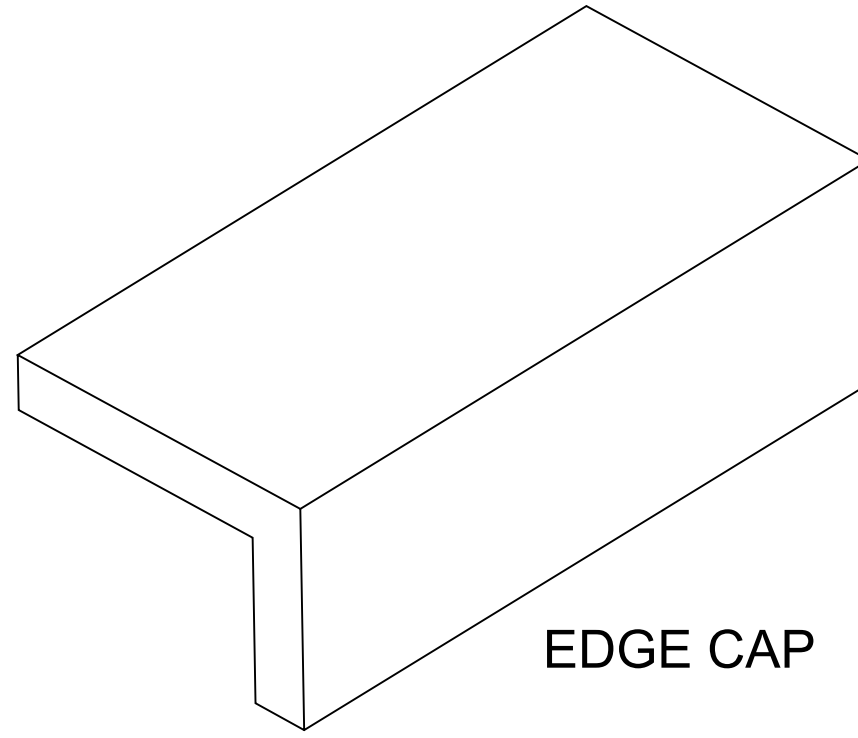
@PGH BRICKS AND PAVERS PTY LTD 2017. THIS DOCUMENT SHOULD NOT BE REPRODUCED OR COMMUNICATED WITHOUT THE PRIOR WRITTEN APPROVAL OF PGH BRICKS & PAVERS PTY LTD.

NOT FOR PRODUCTION OR CONTRACT USE.

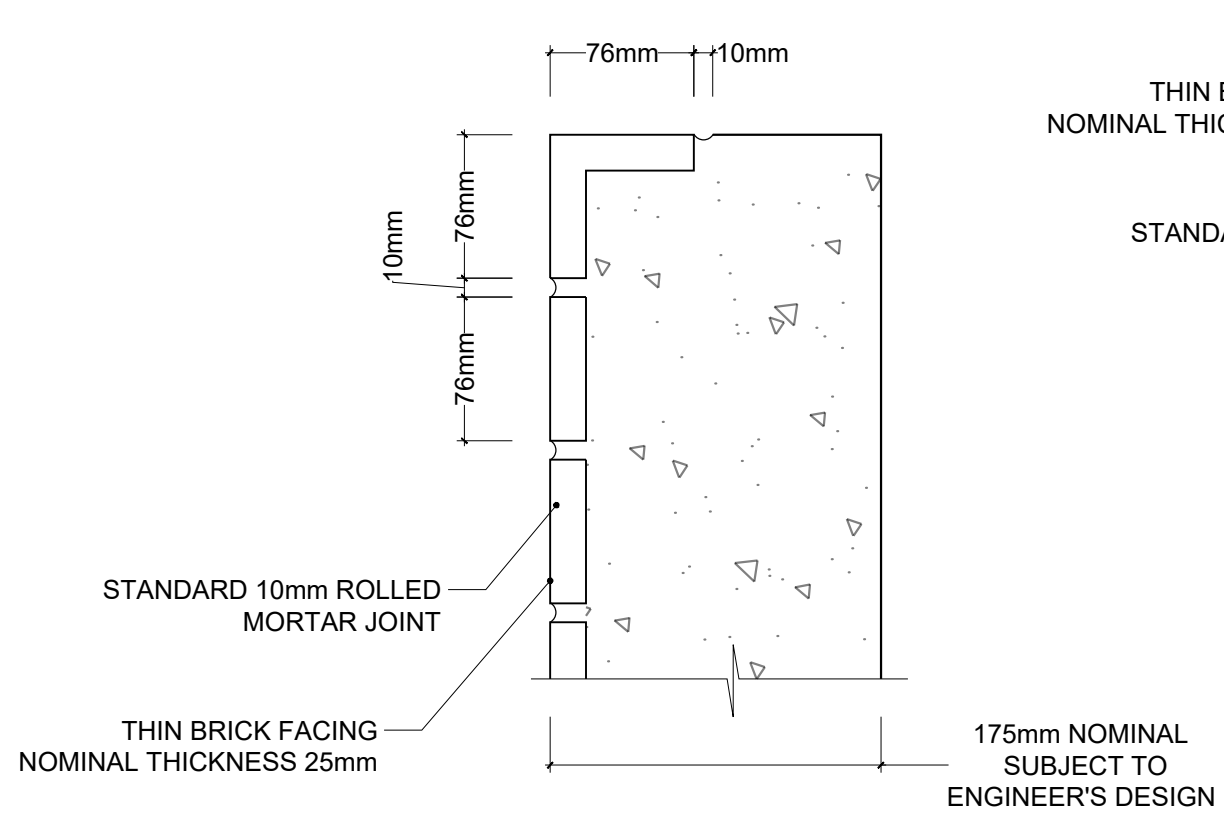
DO NOT SCALE THIS DRAWING.



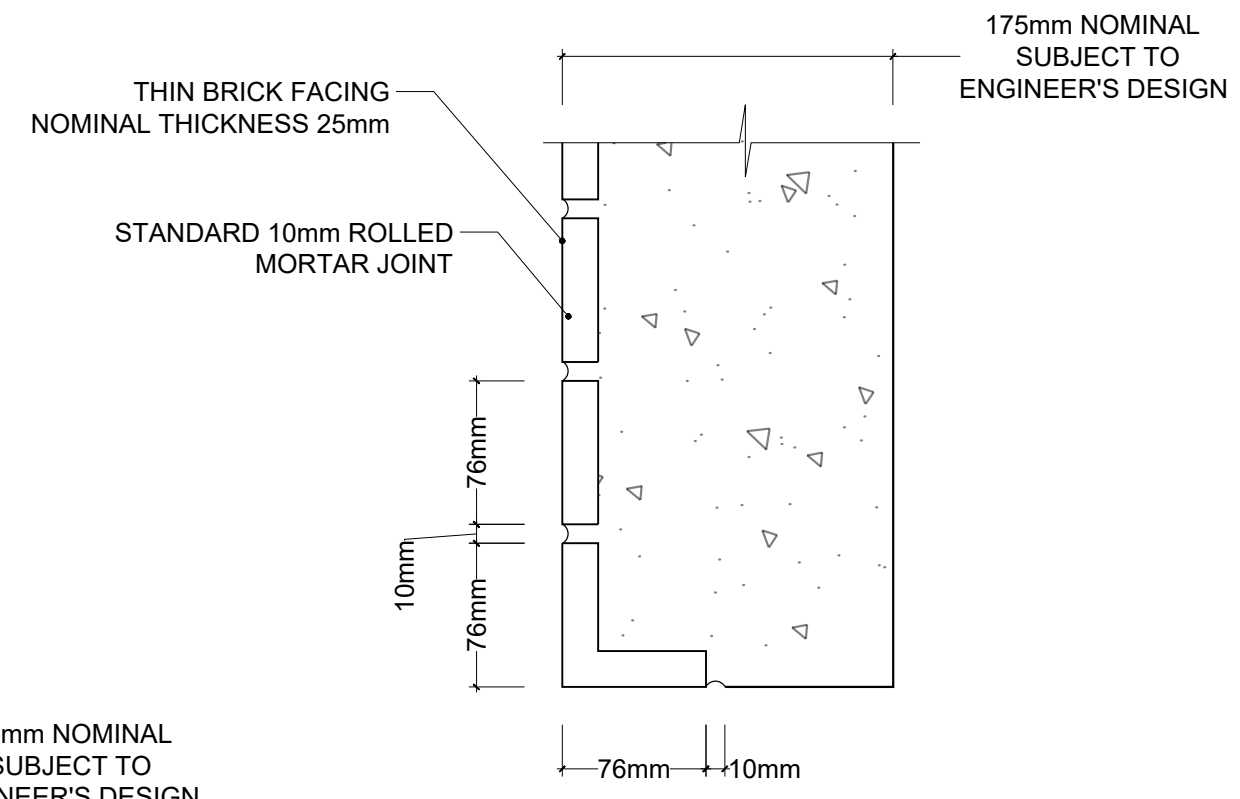
CORNER BRICK



EDGE CAP



05A WRAPPED SILL DETAIL W/EDGE CAP
SCALE N/A



05B WRAPPED HEADER DETAIL W/EDGE CAP
SCALE N/A

PROJECT:
InBrick TYPICAL CONSTRUCTION DETAILS

DRAWING:
WRAPPED SILL/HEADER DETAIL

DRAWING No:
INB-DE-05A & 05B

REV: B

DRAWN BY: M.E

ISSUE DATE: 21/07/2022

SCALE: N/A

@PGH BRICKS AND PAVERS PTY LTD 2017. THIS DOCUMENT SHOULD NOT BE REPRODUCED OR COMMUNICATED WITHOUT THE PRIOR WRITTEN APPROVAL OF PGH BRICKS & PAVERS PTY LTD.

NOT FOR PRODUCTION OR CONTRACT USE.

DO NOT SCALE THIS DRAWING.

PROJECT:

**InBrick TYPICAL
CONSTRUCTION
DETAILS**

DRAWING:

MORTAR JOINT & REVEAL DETAL

DRAWING No:

INB-DE-06

REV:

B

DRAWN BY:

M.E

ISSUE DATE:

21/07/2022

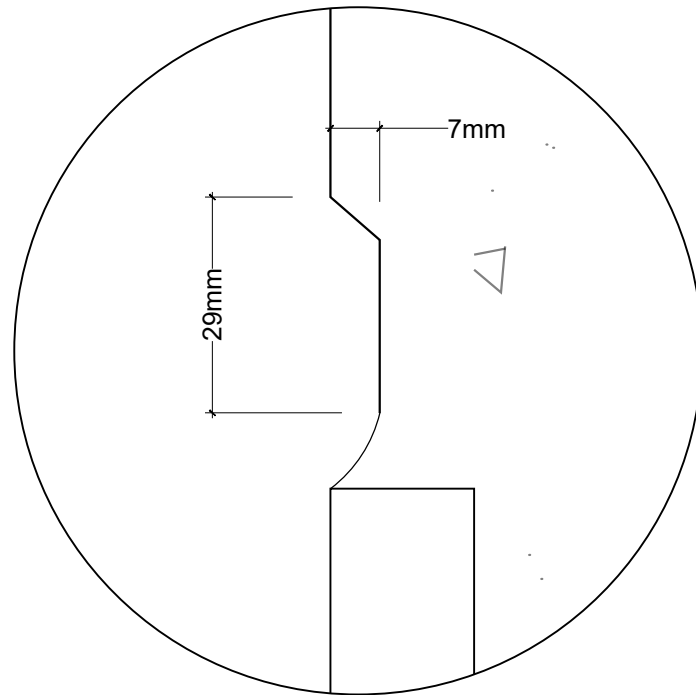
SCALE:

N/A

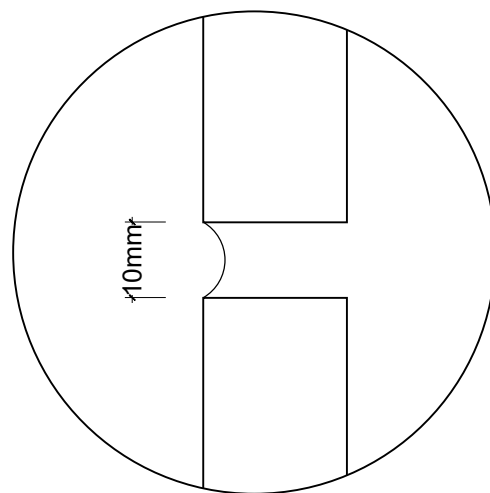
@PGH BRICKS AND PAVERS PTY LTD 2017. THIS DOCUMENT SHOULD NOT BE REPRODUCED OR COMMUNICATED WITHOUT THE PRIOR WRITTEN APPROVAL OF PGH BRICKS & PAVERS PTY LTD.

NOT FOR PRODUCTION OR CONTRACT USE.

DO NOT SCALE THIS DRAWING.



PERIMETER REVEAL



MORTAR JOINT

